

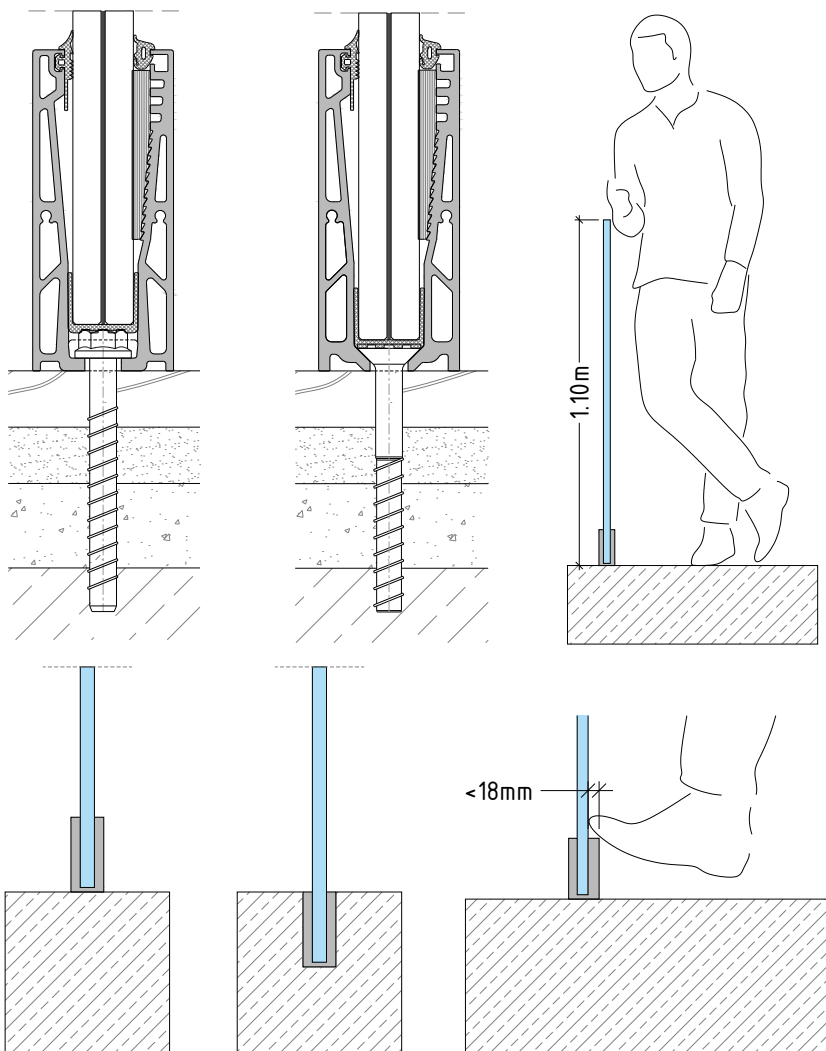
EB50 Glass balustrade system



A frameless glass balustrade system, with aluminium base of 50mm width and without additional vertical support.

Two different thicknesses of glass infill can be used. It can be installed on or into the floor level. Ideal for both residential areas and areas susceptible to overcrowding.

Suitable for internal and external areas.



Technical features

Two glass infill options (17.5 mm and 21.5 mm)

Pre-drilled profiles option

Simple installation

Easy maintenance

Hardware accessories

Two screw options (hexagon or countersunk head)

EPDM gaskets

Two plastic wedges options

Surface treatment options

RAL colours

ETEM colours

Anodising

Wood effects

Quality Standards:

- QUALICOAT
- QUALIDECO
- QUALANOD

Production certificates

- EN ISO 9001
- OHSAS 18001

Typologies

- E2050103 for installation with countersunk head screws
- E2050104 for installation with hexagon head screws

